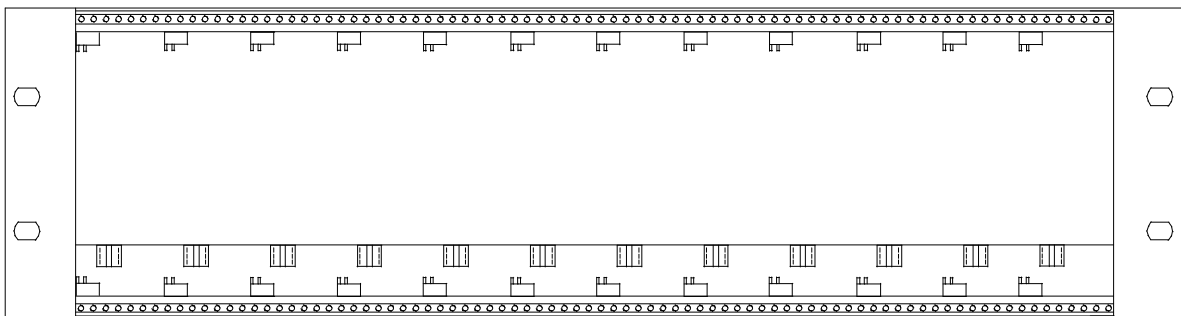
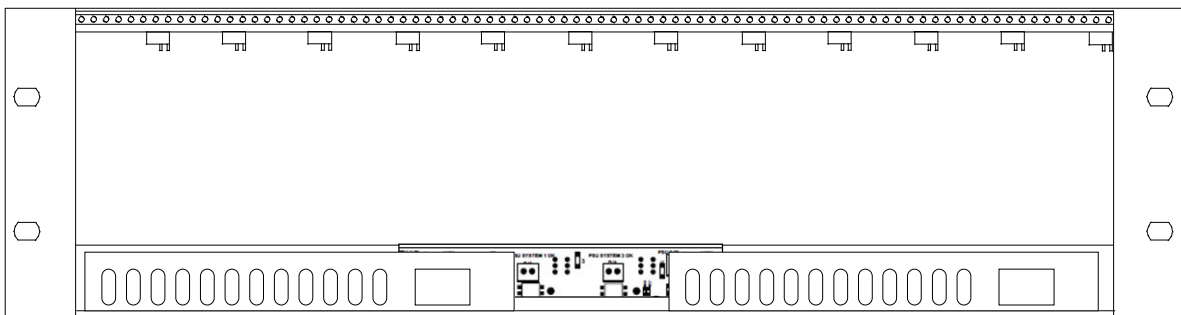


AMG2015-DR Dual Redundant 19" Subrack

Front View



Rear View



The **AMG2015-DR** is a dual redundant subrack for a standard 19" rack. It is designed to house rack-mount AMG3000-5000 series video transmission equipment.

The subrack incorporates two independent +15Vdc, 100W power supply units (PSU) connected to a common distribution panel (Bus) which powers the plug-in AMG units. The distribution panel includes active "ORing" circuitry which controls and combines the output of the two power supplies onto the DC output Bus.

Failure of either PSU will not affect normal operation of the equipment plugged into the subrack which can deliver the full power output indefinitely with only one functioning PSU.

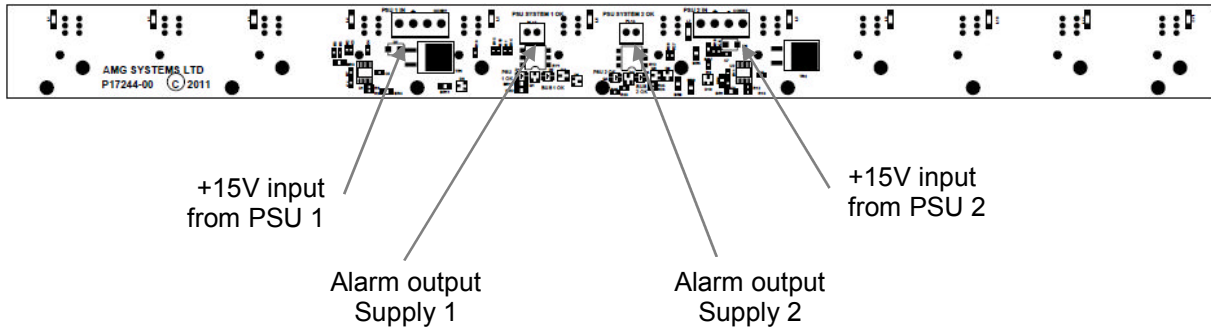
Rear panel mounted LEDs indicate the presence and status of each PSU and the DC output of the distribution panel. Two solid-state relays with normally open (n/o) contacts provide external signals that indicates the status of each PSU and DC output in order to provide alarm information regarding failure of one or both.

Connections

Mains Power Input (2 off)

Mains supply inlet 100-240Vac, 50/60Hz, 1.9A Max
 Connector C14 (IEC 60320-1). Mates with IEC C13 Plug

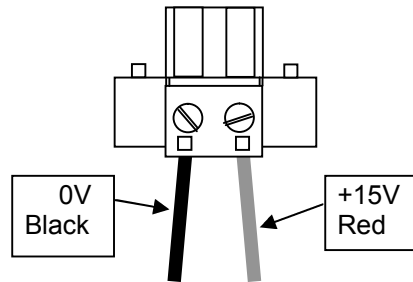
Distribution Panel Rear Layout



Distribution Panel DC input (2 off)

DC input from PSU +15 Volts, 6.7 Amps.

Connector 2 way removable screw terminal 5mm pitch screw flange
 Phoenix Pt. No. 1786831, MSTB 2,5/2-STF



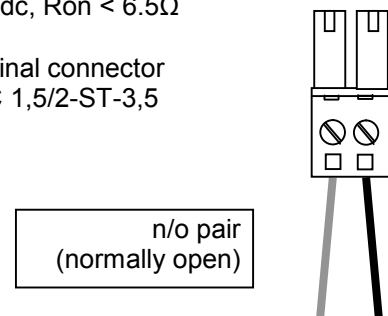
DC Bus output (12 off)

DC output..... +15 Volts, 1.0 Amp per plug-in card.
 Maximum combined output 6.7 Amps.

Alarm Outputs (2 off)

Output..... Solid-state relay, n/o contacts***
 Maximum 150mA at 125Vac/dc, Ron < 6.5Ω

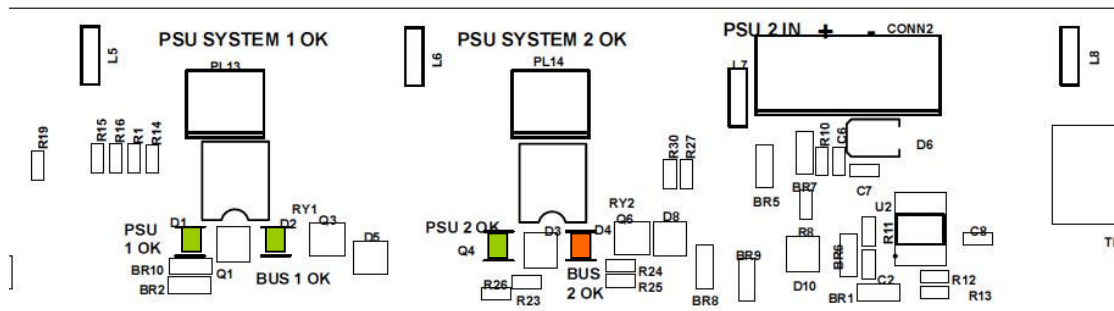
Connector 2 way removable screw terminal connector
 Phoenix Pt No. 1840366, MC 1,5/2-ST-3,5



Note *** : Normally Open (n/o) refers to the state when not powered

LED Indicators

The location of LED indicators is shown below, with an example where PSU 1, PSU 2, and SYSTEM 1 are fully functional but there is a (MOSFET) fault on SYSTEM 2. In this situation, PSU/SYSTEM 1 will maintain full power to the plug-in equipment.



PSU 1 OK	Green	- PSU output voltage correct +15Vdc
	Red	- PSU output voltage incorrect <+13V or >+17V
	Off	- PSU not present or no mains supply
SYSTEM 1 OK.....	Green	- SYSTEM output correct
	Red	- SYSTEM controller or PSU fault
	Off	- PSU not present or no mains supply
PSU 2 OK	Green	- PSU output voltage correct +15Vdc
	Red	- PSU output voltage incorrect <+13V or >+17V
	Off	- PSU not present or no mains supply
SYSTEM 2 OK.....	Green	- SYSTEM output correct
	Red	- SYSTEM controller or PSU fault
	Off	- PSU not present or no mains supply

SYSTEM Status LEDs

Detailed failure information is available by reviewing the status of both LEDs on a particular SYSTEM together as per the following table:

SYSTEM Status (1 or 2)	PSU ok	SYSTEM ok	Alarm Output
SYSTEM healthy no fault	■	■	Closed
SYSTEM (Controller) fault	■	■	Open
SYSTEM (MOSFET) fault	■	■	Open
PSU Voltage out of range <+13V or >+17V	■	■	Open
PSU Mains supply not present	■	■	Open

Alarm Output

The Alarm Output for each SYSTEM will only be set to Closed (contacts) when the DC PSU is present and is the correct voltage and there is no other SYSTEM fault condition.

Physical Information

Dimensions

Height 3U Plug-in
Width..... 19" with rackmount ears
Depth 300mm
Weight..... 2950grams

Mounting Details

The unit is designed to be mounted within a standard 19" rack. Care should be taken with regard to air circulation when populated, taking into account the total heat dissipation of the equipment installed. An air circulation gap above and below the subrack is recommended particularly when populated to full power capacity.

Safety

The AMG2015-DR provides a low voltage (+15V) DC supply. Only AMG equipment should be plugged into the subrack.

Maintenance and Repair

There are no user serviceable parts within the AMG2015-DR subrack.

In case of problem or failure contact your local support centre or AMG Systems Ltd, Technical Support Department on tel. +44 (0) 1767 600777.